

Radiography Fluoroscopy QA Phantom

The CIRS Model 903 Radiography / Fluoroscopy QA Phantom is designed to provide physicians with an opportunity for a comprehensive review of their Radiography / Fluoroscopy facility, image quality programs.

The Radiography / Fluoroscopy QA Phantom can be used for initial QA assessment and routine monthly QA testing to help ensure patients are receiving the best possible X-ray examinations.

The CIRS Model 903 is manufactured from PMMA equivalent epoxy that offers the same X-ray attenuation properties as acrylic with significantly greater durability.

The overall phantom measures 25 cm wide x 25 cm long x 20.7 cm high and consists of three attenuation plates, one test object plate



Model 903

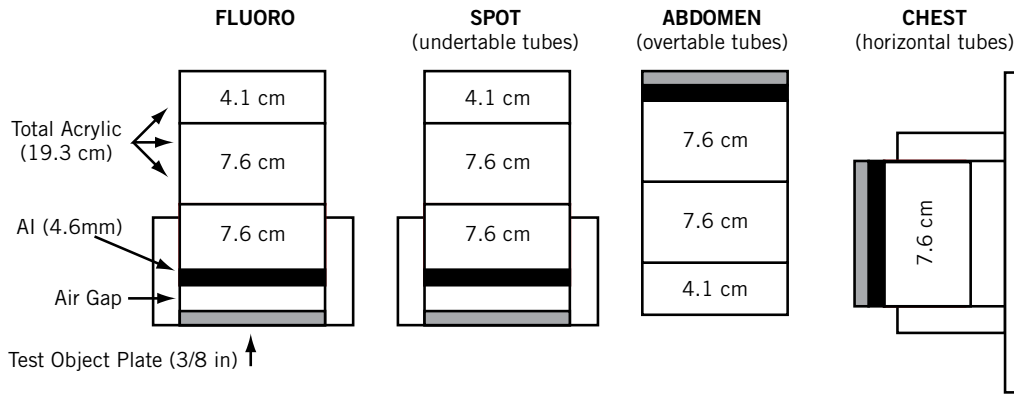
and a detachable stand for easy, reproducible set-up. Test objects include high-resolution copper mesh targets from 12 – 80 lines per inch,

two separate contrast-detail test objects.

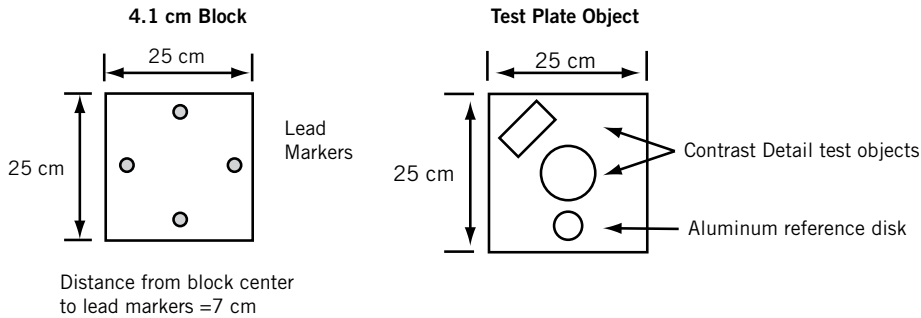
Model 903 Specifications:

Radiography/Fluoroscopy QA Phantom

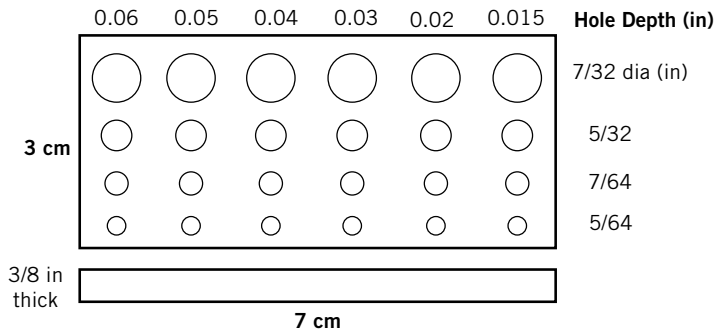
SIDE VIEW



TOP VIEW



CONTRAST-DETAIL TEST OBJECT

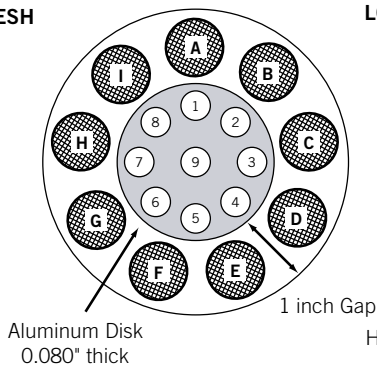


HIGH CONTRAST MESH

LINES PER INCH

- A-80
- B-12
- C-16
- D-20
- E-24
- F-30
- G-40
- H-50
- I-60

Meshes arranged in incremental order
Lines angled at 45°



LOW CONTRAST HOLES

IN ALUMINUM DISK

HOLE DEPTHS

- 1 - 0.068
- 2 - 0.049
- 3 - 0.035
- 4 - 0.025
- 5 - 0.018
- 6 - 0.0126
- 7 - 0.0091
- 8 - 0.0063
- 9 - 0.0040

Hole Diameter = 0.375"